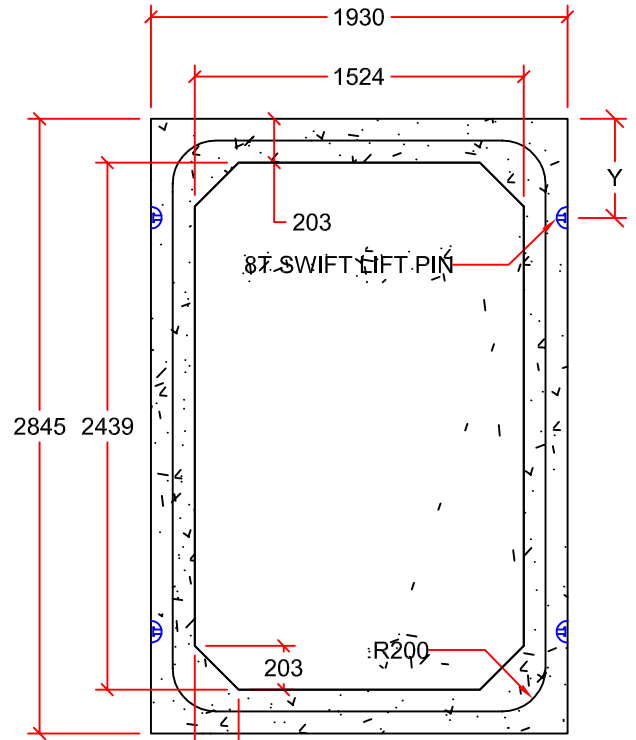
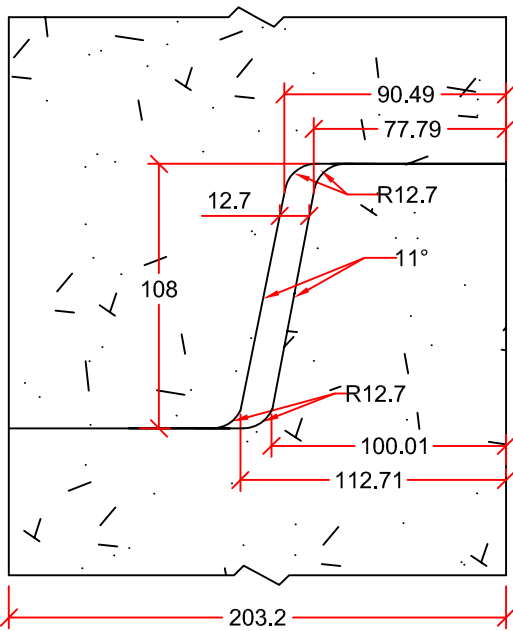


PROFILE VIEW



CROSS-SECTION


HORIZONTAL INSTALLATION  
VERTICAL INSTALLATION



JOINT DETAIL

BOXES AVAILABLE IN 0.6m, 1.2m, 1.5m, 1.8m, 2.0m,  
AND 2.5m LENGTHS

HEIGHT(H) (mm)	APPROX. MASS (kg)	NUMBER OF PINS	LOAD RATING	X (mm)	Y (mm)
600	2820	2	8T	300	460
1200	5640	4	8T	460	460
1500	7050	4	8T	460	460
1800	8460	4	8T	460	460
2000	9400	4	8T	460	460
2500	11750	4	8T	460	460

DRAWN BY:	KIM PHAM	2400mm x 1500mm BOX	 9265 OAK ST. VANCOUVER B.C. PH: 604 269-6700 FAX: 604 261-6751
SCALE:	NTS		
DATE:	NOV. 5, 2015	DIMENSIONS IN mm. FOR VERTICAL INSTALLATION, 2 SWIFT LIFT PINS ON OPPOSITE SIDES. FOR HORIZONTAL INSTALLATION, 4 SWIFT LIFT PINS ON THE SAME SIDE. STEPS AVAILABLE FOR VERTICAL INSTALLATION.	
DRAWING #:	2400mm x 1500mm BOX		
REVISION #:	REV. 1		
CHECKED BY:	TYSON DYCK		