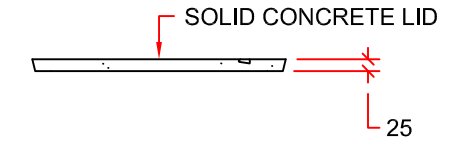
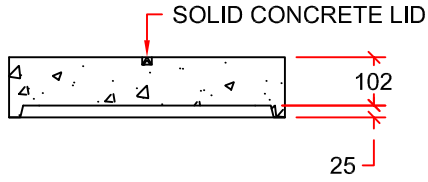


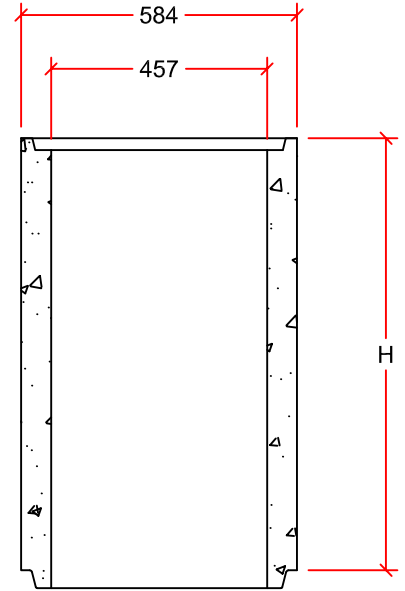
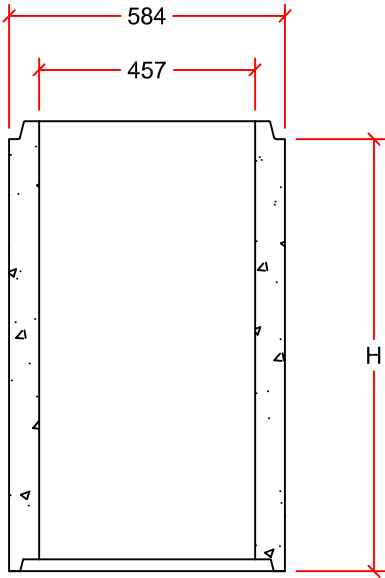
CAST IRON FRAME & GRATE
OR COVER AVAILABLE

CAST IRON DROP IN
GRATE AVAILABLE

LID:

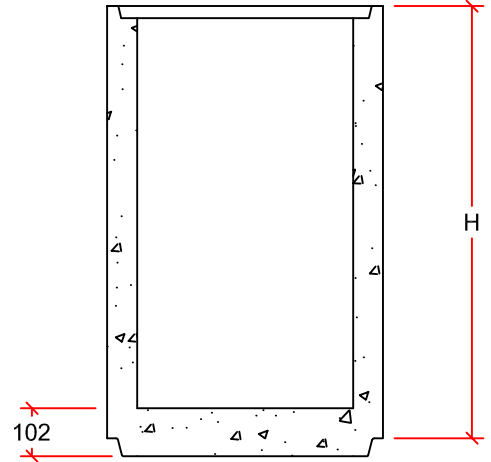
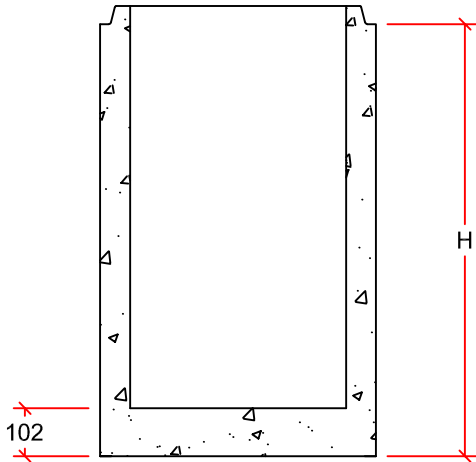


RISER:




AVAILABLE IN 0.15m, 0.3m,
0.6m, 0.9m & 1.2m HEIGHTS

BASE:



AVAILABLE IN 0.6m,
0.9m & 1.2m HEIGHTS

0.9m x 0.9m SQUARE
BASE ALSO AVAILABLE

DRAWN BY:	AARON KLEMETS	450mm CATCH BASIN (TYP)	
SCALE:	NTS		
DATE:	DECEMBER 3, 2015	AVAILABLE IN MALE END UP AND FEMALE END UP ORIENTATIONS ALL DIMENSIONS IN mm	9265 OAK ST. VANCOUVER B.C. PH: 604 269-6700 FAX: 604 261-6751
DRAWING #:	450 CB (TYP)		
REVISION #:	REV. 0		
CHECKED BY:	MATTHEW DEMEDEIROS		