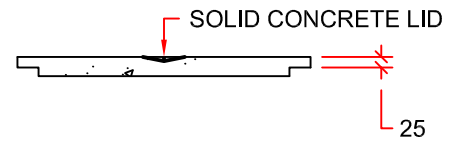
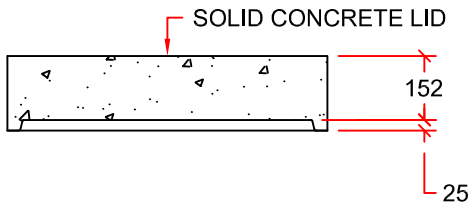


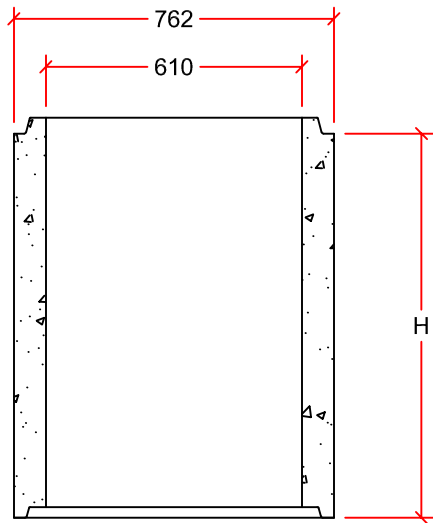
CAST IRON FRAME & GRATE
OR COVER AVAILABLE

CAST IRON DROP IN
GRATE AVAILABLE

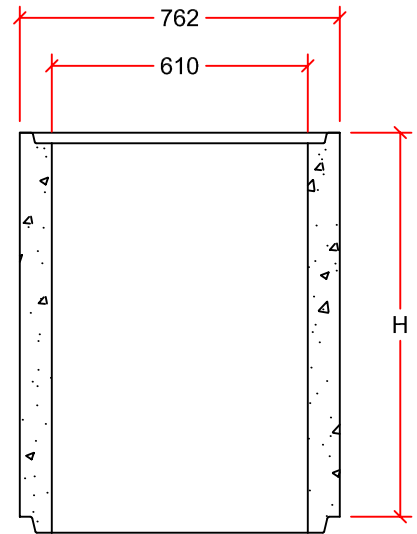
LID:



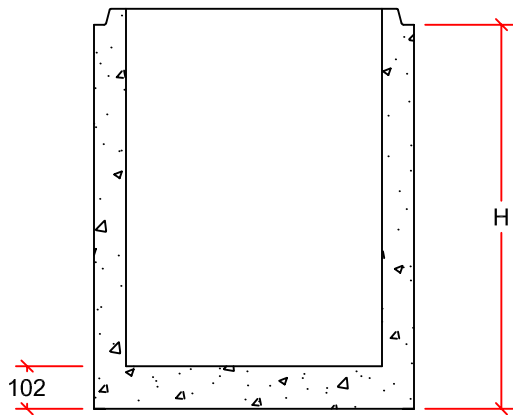
RISER:



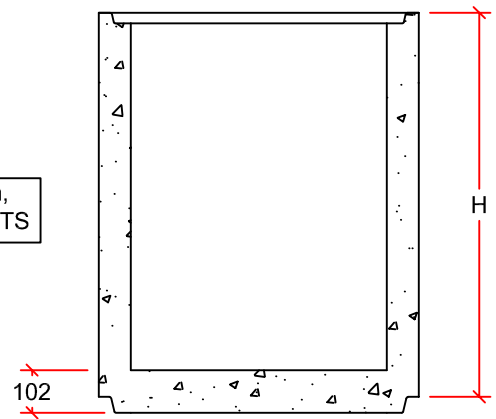
AVAILABLE IN 0.15m,
0.3m, 0.6m, 0.9m & 1.2m
HEIGHTS




BASE:



AVAILABLE IN 0.6m,
0.9m & 1.2m HEIGHTS



1.2m x 1.2m SQUARE
BASE ALSO AVAILABLE

DRAWN BY:	AARON KLEMETS	600mm CATCH BASIN (TYP)	 9265 OAK ST. VANCOUVER B.C. PH: 604 269-6700 FAX: 604 261-6751
SCALE:	NTS		
DATE:	DEVEMBER 3, 2015	AVAILABLE IN MALE END UP AND FEMALE END UP ORIENTATIONS	
DRAWING #:	600 CB (TYP)	ALL DIMENSIONS IN mm	
REVISION #:	REV. 0		
CHECKED BY:	MATTHEW DEMEDEIROS		