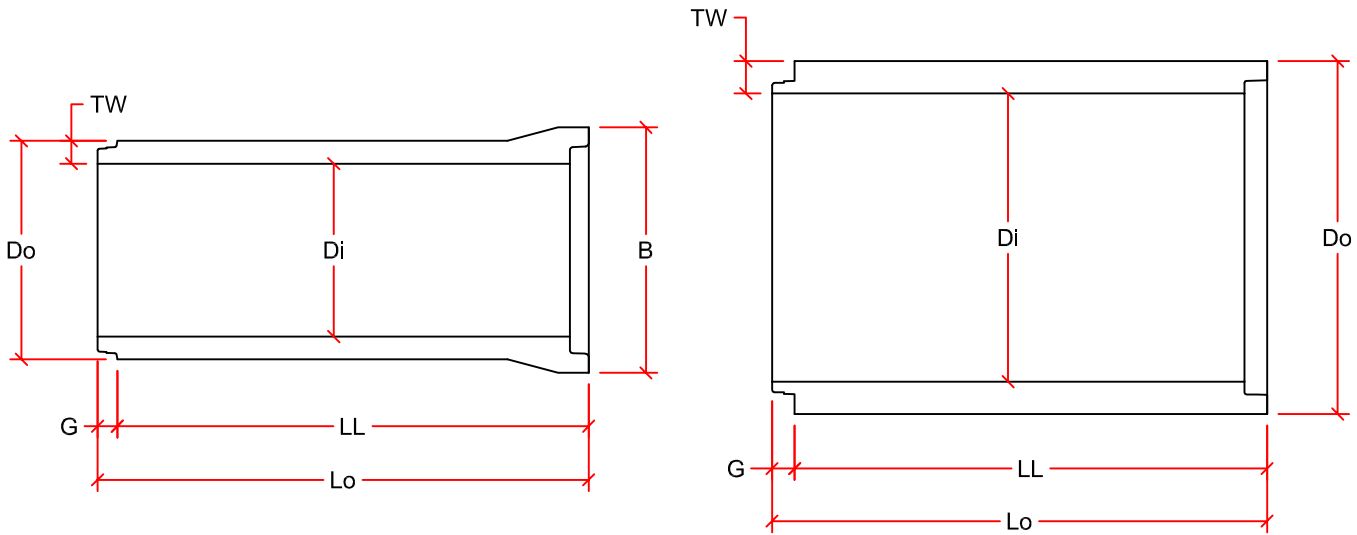



NOMINAL INSIDE Ø		Weight (kg/m)	Volume (L/m)	ACTUAL PIPE DIMENSIONS (mm)						
(mm)	(in)			Di	Do	LL	Lo	Tw	B	G
300	12	180	73	305	406	2500	2590	51	508	90
375	15	235	114	381	495	2500	2590	57	606	90
450	18	300	164	457	584	2500	2595	64	702	95
525	21	380	223	533	673	2500	2595	70	803	95
600	24	600	292	610	800	2500	2598	95	905	98
675	27	710	370	686	889	2500	2598	102	1006	98
750	30	830	456	762	978	2500	2598	108	1095	98
900	36	1130	656	914	1156	2500	2598	121	1299	98
1050	42	1400	894	1067	1334	2500	2617	133	1500	117
1200	48	1700	1167	1219	1511	2500	2621	146	1683	121
1350	54	1980	1478	1372	1689	2500	2608	159	-	108
1500	60	2350	1824	1524	1867	2500	2621	171	-	121
1650	66	2670	2206	1677	2045	2500	2627	184	-	127
1800	72	3130	2627	1829	2223	2500	2627	197	-	127
1950	78	3830	3082	1981	2400	2500	2627	210	-	127
2100	84	4130	3577	2134	2578	2500	2627	222	-	127
2400	96	5300	4668	2438	2934	2500	2627	248	-	127
2750	108	6600	5909	2743	3289	2440	2649	273	-	149
3050	120	7300	7297	3048	3607	2500	2652	279	-	152



DRAWN BY:	Matthew deMedeiros	Pipe Dimension Table	 9265 OAK ST. VANCOUVER B.C. PH: 604 269-6700 FAX: 604 261-6751
SCALE:	N.T.S.		
DATE:	April 29, 2014	Dimensions of Typical Pipe Sizes Standard Length of Pipe = 2.5m	
DRAWING #:	PIPE DIMENSION TABLE	Various Classes Available - Please Call For Further Details	
REVISION #:	Rev. 0		
CHECKED BY:			