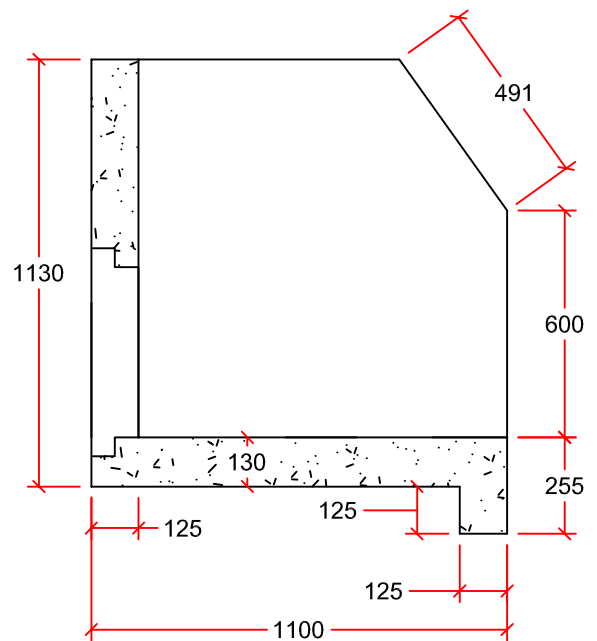
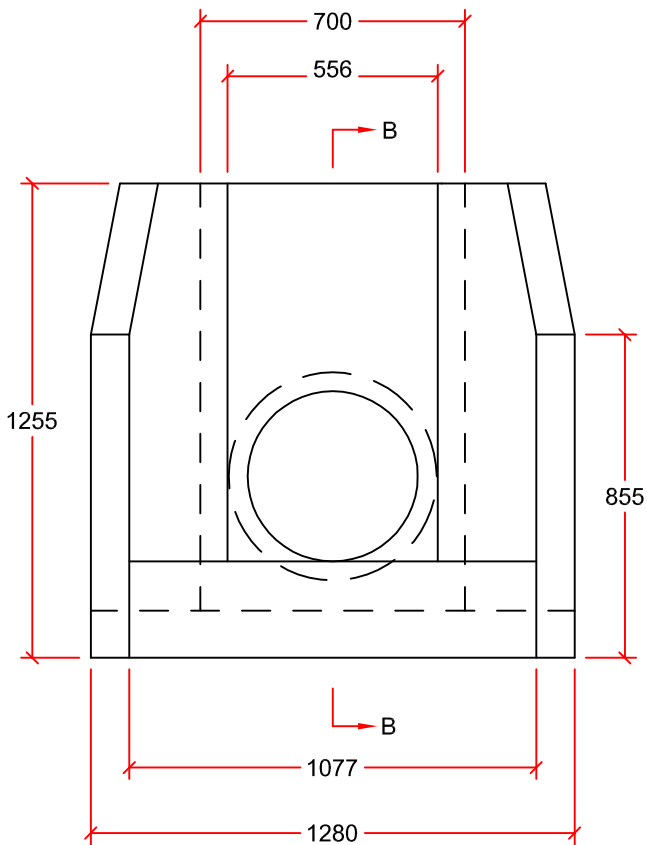


SECTION A-A



SECTION B-B

DRAWN BY:	AARON KLEMETS
SCALE:	NTS
DATE:	NOVEMBER 23, 2015
DRAWING #:	TII HW (TYP)
REVISION #:	REV. 0
CHECKED BY:	TYSON DYCK

TYPE II HEADWALL (TYP)

ALL DIMENSIONS IN mm  
 FOR UP TO Ø450MM PIPE  
 TWO 4T LIFT PINS PROVIDED AS SHOWN  
 BOLT ON GALVANIZED GRILL AVAILABLE  
 APPROXIMATE MASS: 1010 kg



9265 OAK ST. VANCOUVER B.C.  
 PH: 604 269-6700 FAX: 604 261-6751