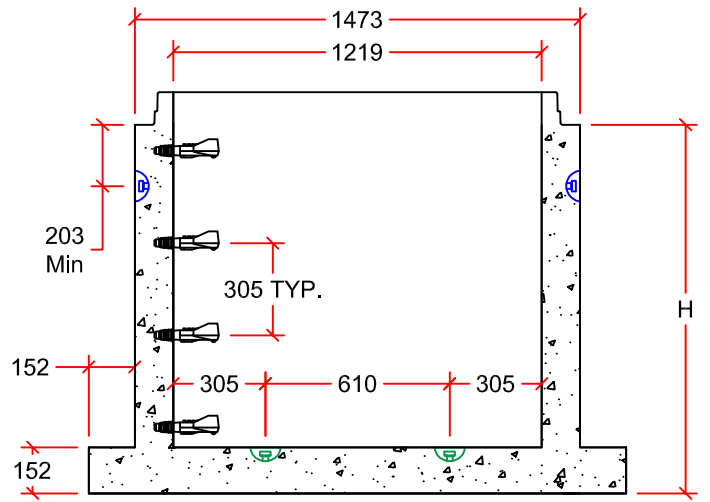
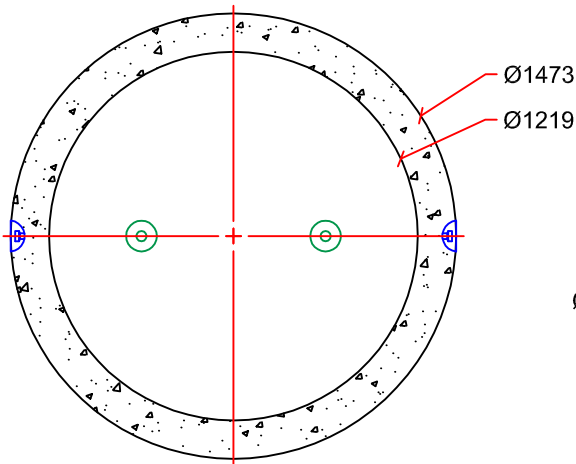


INNER POUR BASE

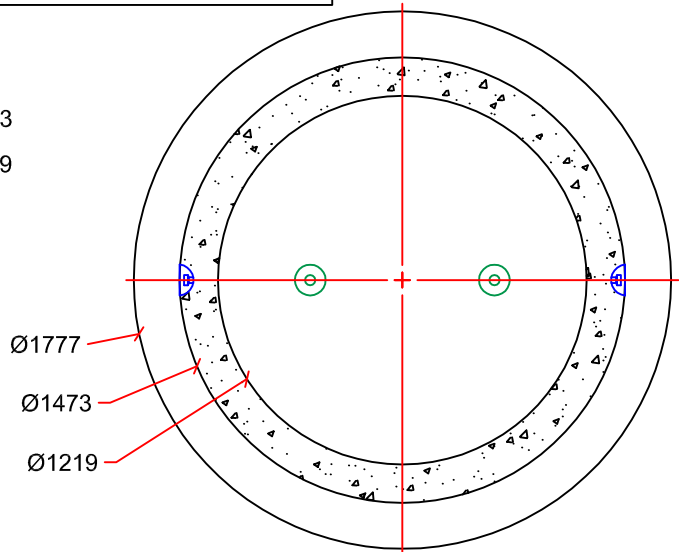


EXTENDED BASE

PIN LOCATION FOR 300mm HIGH BASE
 PIN LOCATION FOR 600mm-2100mm HIGH BASE



AVAILABLE IN 0.3m, 0.6m, 0.9m,
 1.2m, 1.5m, 1.8m, & 2.1m HEIGHTS



AVAILABLE IN 0.3m, 0.6m, 0.9m,
 1.2m, 1.5m, 1.8m, & 2.1m HEIGHTS

HEIGHT (H) (mm)	EXTENDED BASE MASS WITHOUT BENCHING (kg)	MAXIMUM PIPE SIZE FOR PREBENCH MANHOLES (mm)
300	1305	N/A
600	1705	300
900	2105	525
1200	2505	600
1500	2900	N/A
1800	3300	N/A
2100	3700	N/A

DRAWN BY:	AARON KLEMETS
SCALE:	NTS
DATE:	NOVEMBER 16, 2015
DRAWING #:	1200 MH BASES
REVISION #:	REV. 0
CHECKED BY:	TYSON DYCK

1200mm MANHOLE BASES

ALL DIMENSIONS IN mm
 TWO 4T LIFT PINS PROVIDED AS SHOWN

9265 OAK ST. VANCOUVER B.C.
 PH: 604 269-6700 FAX: 604 261-6751