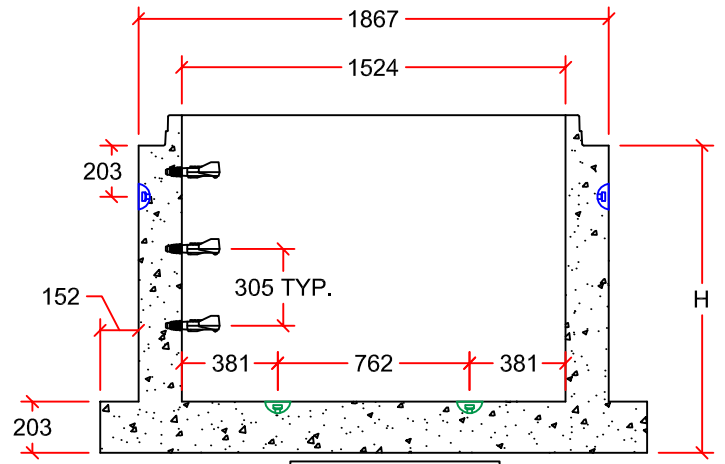
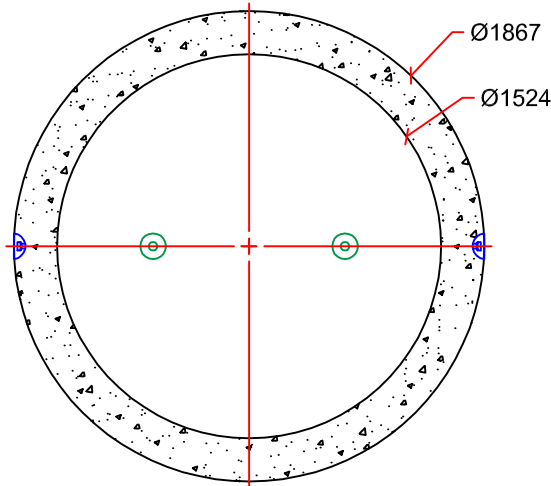


INNER POUR BASE

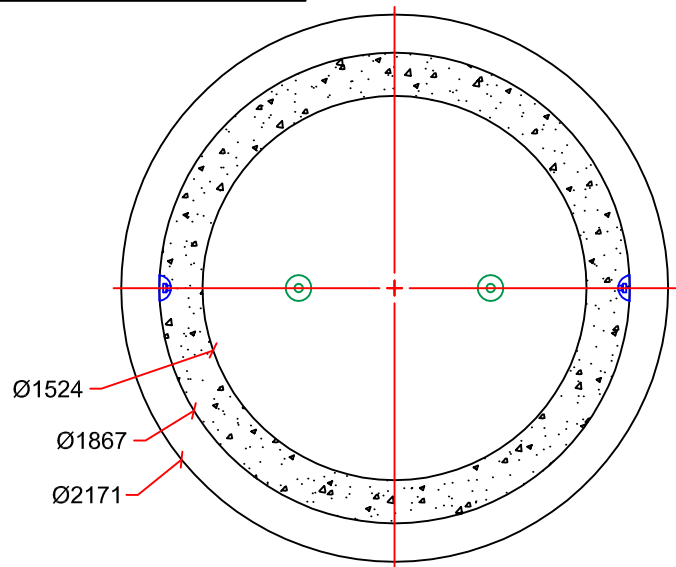


EXTENDED BASE

PIN LOCATION FOR 300mm HIGH BASE
 PIN LOCATION FOR 600mm-2500mm HIGH BASE



AVAILABLE IN 0.3M, 0.6m, 0.9m, 1.2m,
 1.5m, 1.8m, 2.1m, & 2.5m HEIGHTS



AVAILABLE IN 0.3M, 0.6m, 0.9m, 1.2m,
 1.5m, 1.8m, 2.1m, & 2.5m HEIGHTS

HEIGHT (H) (mm)	EXTENDED BASE MASS WITHOUT BENCHING (kg)	MAXIMUM PIPE SIZE FOR PREBENCH MANHOLES (mm)
300	2510	N/A
600	3215	300
900	3920	525
1200	4625	675
1500	5330	900
1800	6035	1050
2100	6740	N/A
2500	7445	N/A

DRAWN BY:	AARON KLEMETS
SCALE:	NTS
DATE:	NOVEMBER 17, 2015
DRAWING #:	1500 MH BASES
REVISION #:	REV. 0
CHECKED BY:	TYSON DYCK

1500mm MANHOLE BASES

ALL DIMENSIONS IN mm
 TWO 4T LIFT PINS PROVIDED AS SHOWN



9265 OAK ST. VANCOUVER B.C.
 PH: 604 269-6700 FAX: 604 261-6751