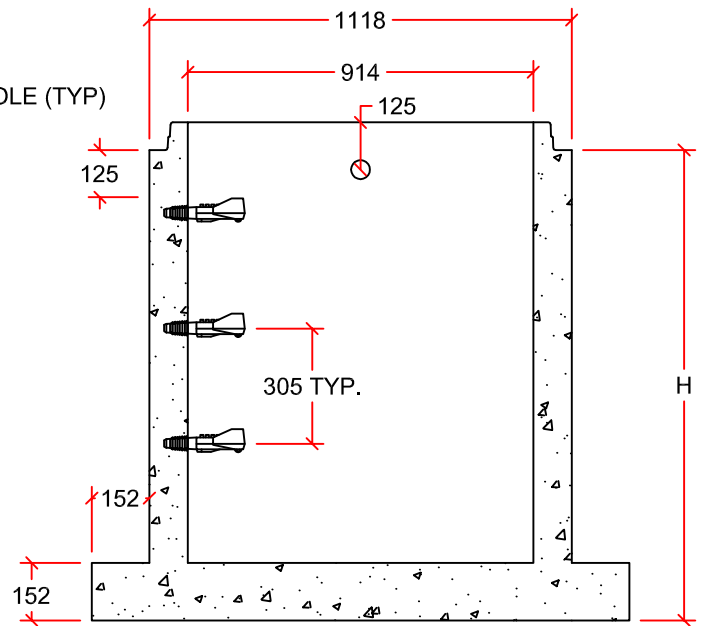
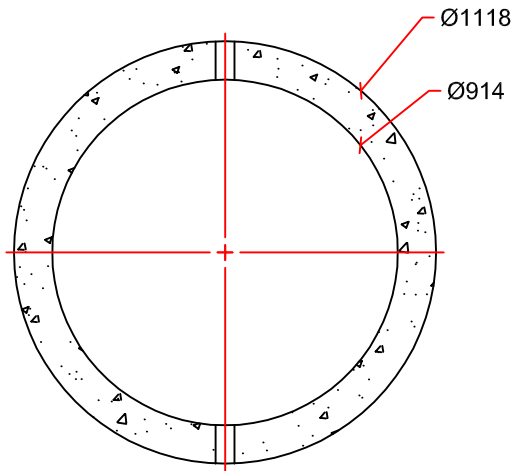


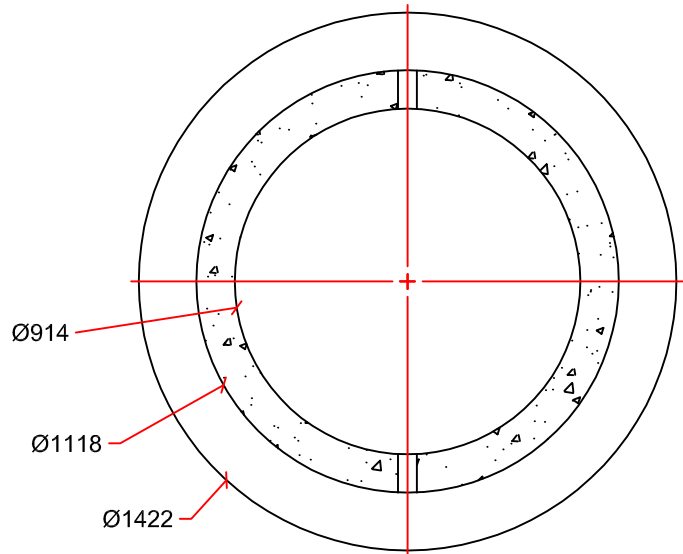
INNER POUR BASE



EXTENDED BASE



AVAILABLE IN 0.3m, 0.6m,
0.9m, AND 1.2m HEIGHTS



AVAILABLE IN 0.3m, 0.6m,
0.9m, AND 1.2m HEIGHTS

HEIGHT (H) (mm)	EXTENDED BASE MASS (kg)
300	820
600	1060
900	1300
1200	1540

DRAWN BY:	AARON KLEMETS
SCALE:	NTS
DATE:	NOVEMBER 13, 2015
DRAWING #:	900 MH BASES
REVISION #:	REV. 0
CHECKED BY:	TYSON DYCK

900mm MANHOLE BASES	
DIMENSIONS IN mm TWO LIFT HOLES PROVIDED AS SHOWN	



9265 OAK ST. VANCOUVER B.C.
PH: 604 269-6700 FAX: 604 261-6751