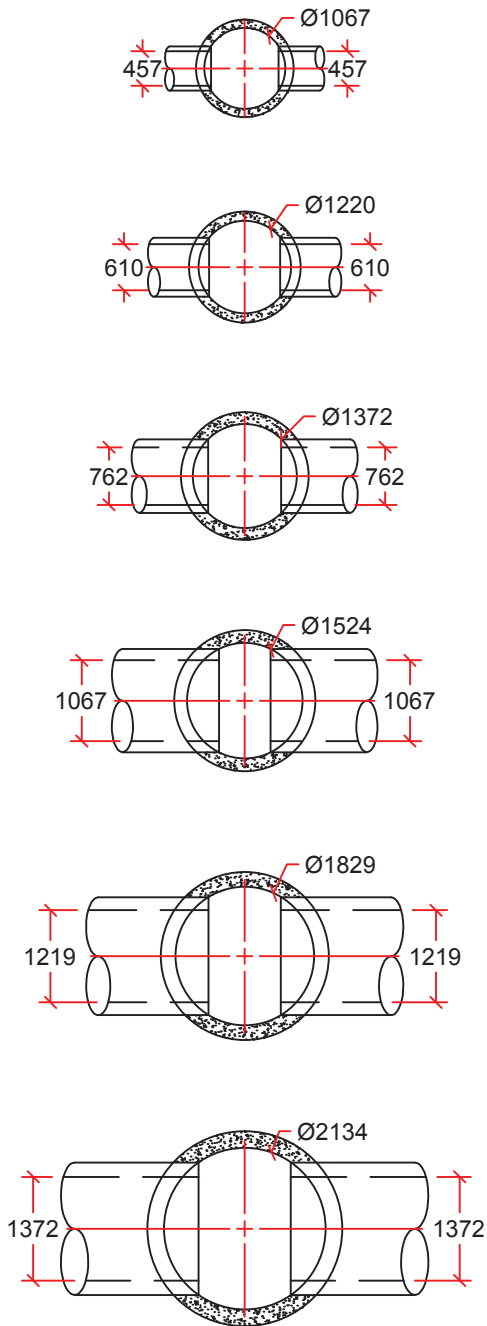
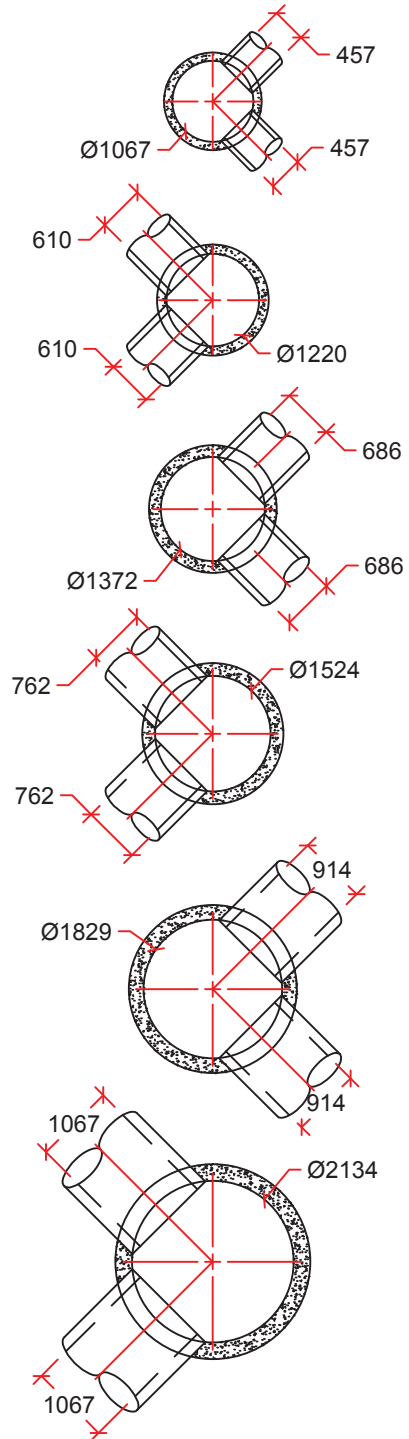


**MAXIMUM PIPE SIZE FOR  
STRAIGHT THROUGH  
INSTALLATION**



**MAXIMUM PIPE SIZE FOR RIGHT  
ANGLE INSTALLATION**



DRAWN BY:	Andrew Cortese
SCALE:	1:100
DATE:	May 27, 2014
DRAWING #:	MAX-MH-1050-2100
REVISION #:	Rev. 0
CHECKED BY:	

Maximum Pipe Sizes for Manholes

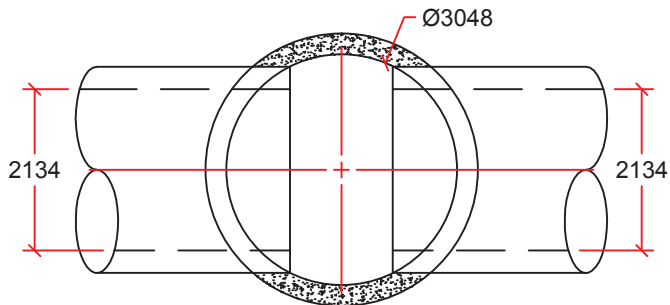
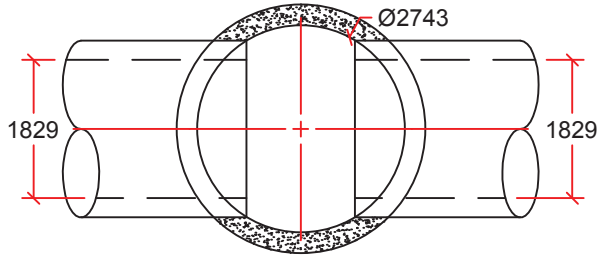
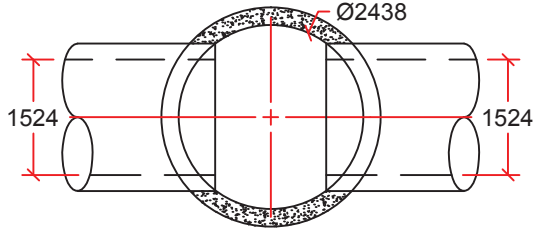
1050mm through 2100mm Manholes

Non-standard angles possible, call for specific project situations

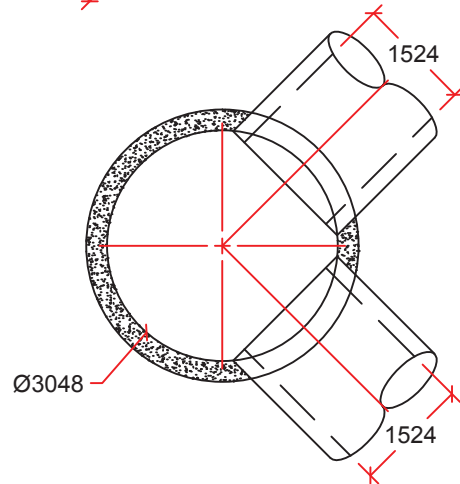
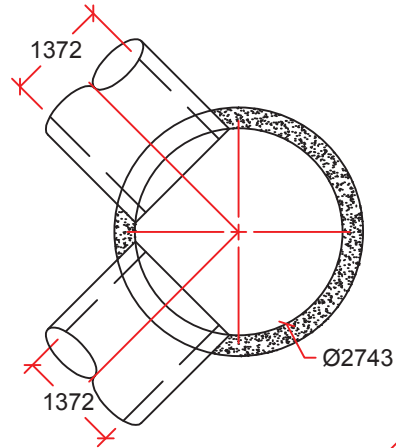
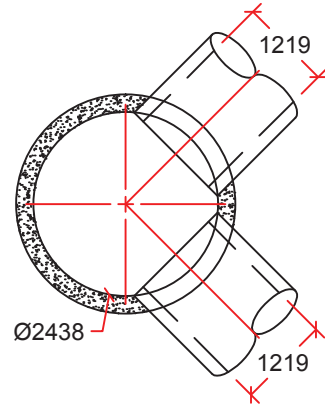
**OCEAN**  
**Pipe**

9265 OAK ST. VANCOUVER B.C.  
PH: 604 269-6700 FAX: 604 261-6751

**MAXIMUM PIPE SIZE FOR  
STRAIGHT THROUGH  
INSTALLATION**



**MAXIMUM PIPE SIZE FOR RIGHT  
ANGLE INSTALLATION**



DRAWN BY:	Andrew Cortese	Maximum Pipe Sizes for Manholes	<b>OCEAN</b> <b>Pipe</b>
SCALE:	1:100		
DATE:	May 27, 2014	2400mm through 3050mm Manholes	9265 OAK ST. VANCOUVER B.C. PH: 604 269-6700 FAX: 604 261-6751
DRAWING #:	MAX-MH-2400-3050	Non-standard angles possible, call for specific project situations	
REVISION #:	Rev. 0		
CHECKED BY:			